

## Explosion-protected LED floodlight

### ExFOCO XL

#### nD8800 12802TB

[ Item no. : 88000 0008 ]



#### General product description

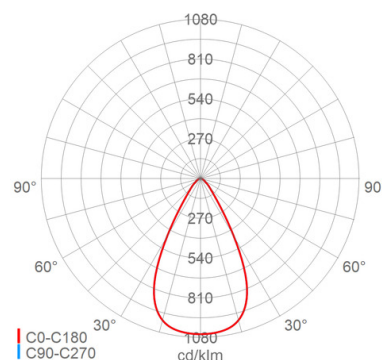
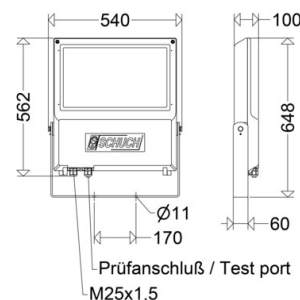
Explosion-protected LED floodlight ExFOCO XL of the GreenLine series with outstanding sustainable product design for zone 2/22. Die-cast aluminium housing and glass frame, powder-coated. Glass frame with tempered safety glass pane, hinged, with silicone gasket. LED modules with highly efficient optics, direct beam, Multi-Layer-Technology, with direct connection to the housing for perfect thermal management. ECG with overvoltage, overload, short circuit protection as well as temperature monitoring of the LED modules. Mounting bracket for pole, wall and ceiling mounting, swivel range 180°.

#### General product benefits

- efficient substitute for conventional floodlights up to HIT 400W
- extremely high service life even at maximum admissible ambient temperature
- perfect thermal management due to direct connection of the LED modules to the housing, large cooling surface, excellent thermal conductivity
- uniform illumination due to Multi-Layer-Technology, i.e. every individual LED illuminates the whole surface, the light distribution curves of the LED are overlapping
- no light emission into the upper half space, ULOR=0
- eco-friendly, all versions dimmable to 10% with colour temperature up to max. 3,000 K fulfill the Dark Sky requirements
- sustainable, interchangeable components
- future proof by using standardised Zhaga LED modules
- GreenLine luminaire, outstanding sustainable design

#### Applications

Hazardous areas zone 2 (gas) and zone 22 (dust), outdoor and indoor areas, e.g. storage areas, construction sites, transport routes, loading stations, port areas, halls etc.



## Explosion-protected LED floodlight

**ExFOCO XL****nD8800 12802TB****[ Item no. : 88000 0008 ]****Technical data****Explosion protection**

EX-Zone:	2 , 22
EX-marking gas:	II 3 G Ex nR IIC T4 Gc
EX-marking dust:	II 3 D Ex tc IIIC T100°C Dc
Primary ignition protection method:	nR
Temperature class:	T4
Surface temperature:	T100°C

**Key technical data**

Light source:	LED
LED module standard:	Zhaga
Exchangeability:	light source and control gear replaceable by qualified person
Connected load:	198 W
Luminaire luminous flux:	32720 lm
Luminous efficacy:	165 lm/W
Colour temperature:	4000 K
Colour rendering (CRI):	≥ 70
Light colour:	740
Admissible ambient temperature Ta:	-30 °C to +40 °C
Control gear:	2 x ECG, Overload protection , Short circuit protection

**Lighting technology**

Light distribution:	narrow wide beam
Photobiological safety:	RG2

**Service life**

Service life LED:	L80>100000 h (@ Ta max), L80>100000 h (@Ta 25°C)
-------------------	---

**Electrical connection**

Rated voltage:	220 - 240 V, 50/60 Hz
Terminal clamp:	Cage clamp, 3-polig, 0.75 - 2.5 mm <sup>2</sup>
Max. no. (with CB B16):	3
CB B10/B13/B20:	2/3/4
CB C10/C13/C16/C20:	3/4/5/6
Cable entries:	M25 (1x), cable gland (1x), Plastic, 8 - 17 mm

**Housing**

Housing material:	Die-cast aluminium
Varnished:	Yes
Colour:	DB 702

**Cover**

Cover type/material:	Pane (Safety glass)
Cover characteristic:	clear
Closure:	screwed (Stainless steel (1.4301))

**Mounting**

Mounting method (accessories possibly needed):	Ceiling with bracket, Wall with bracket
Operating position:	downwards radiation, forwards radiation
Mounting:	2-point
Swivel range:	0 - 180 °

**Features/Certificates**

Protection class:	I
IP rating:	IP66
IK rating:	IK09
Approval marks:	CE
Energy efficiency class:	C

**Dimension/Weight**

Length:	648.00 mm
Width/Diameter:	540.00 mm
Height:	100.00 mm
Net weight:	17.00 kg
EAN/GTIN:	4041254286402

Explosion-protected LED floodlight

**ExFOCO XL**

**nD8800 12802TB**

[ Item no. : 88000 0008 ]

**Optional accessories/spare parts**

<b>Item no.</b>	<b>Item name</b>	<b>Item description</b>
90117 9000	2537	cable gland M25 for Ex-Zone 1/21
90119 9000	2539	cable gland M25 with blanking plug for Ex-Zone 1/21
90270 0006	ROB 60/76 G2	
75739 9001	MAU 1 76/170 M10	
75739 9002	MAU 2 76/170 M10	