



## FOCO L / FOCO XL LED Floodlight Series 7700... /7800...

### Applications:

Industrial areas, stockyards, terminals, construction zone, accent lighting, large equipment for open-cast mining, illumination of building and facades etc.

### Design:

**Housing:** Die-cast aluminium, 2-parts, powder coated DB 702,

**Upper part:** With LED- and optics-modules.

**Lower part:** With electronic ballast, glass cover, cable entry with cable relief and pressure compensation system, retractable.

**Glass:** Flat safety glass pane, resistant to temperature changes, impact resistant

IK10 (7700...) IK09 (7800...), silicone gasket.

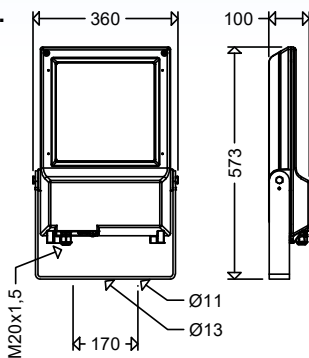
**Light distribution:** With optics narrow-wide (TB), narrow (T) or asymmetrical beam (A), without optics wide beam.

**Connection:** 3-pole terminal, max. clamping range 2.5 mm<sup>2</sup>.

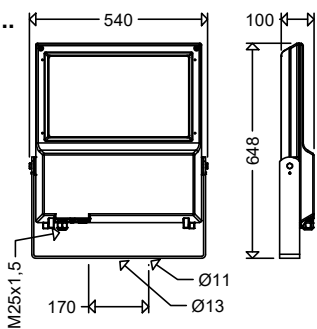
**Cable entry:** 1 cable entry M20 x 1.5 or M25 x 1,5 (1 cable gland).

**Mounting:** Mounting bracket, swivel range 180°, with 3 drillings for wall- or ceiling mounting or for direct pole mounting in conjunction with pipe clamps **ROB 60/76 G2** (see accessories).

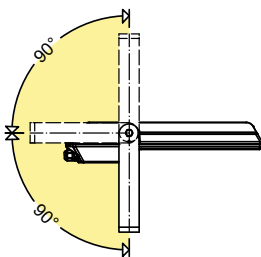
7700...



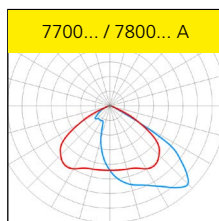
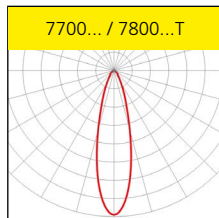
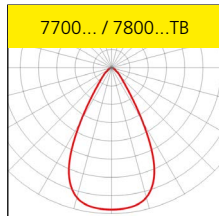
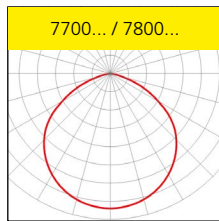
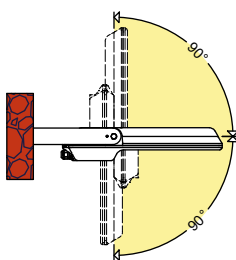
7800...



Swivel range



Standard Mounting



### Electrical design:

**LED module:** 4,000 K or 3,000 K,  $R_a > 70$ , service life  $L_{95} > 100,000$  h, Zhaga compliant

**ECG:** 220-240 V, 50-60 Hz, Surge voltage resistance 10 kV, overload and short circuit protection.

### Options:

- 2,200 K; light colour (722)
- 1,800 K; light colour (518)
- asymmetrical wide beam (AB)
- asymmetrical wide beam, low glare (ABL)
- extremely narrow beam (TX)
- cable looping at 1 small side
- special painting in RAL colours
- protection class II (SKII)
- seawater-resistant version
- vibration-resistant design
- high resistance (HR), against corrosive atmosphere
- bird deterrence

- for connection to a central power supply system (ZB)
- dimming function via DALI-2 interface, compatible with LIMAS Line wired Light Management System (DIMD)
- power reduction with control phase (LR)
- power reduction without control phase (LA)
- constant luminous flux function (CL)
- EcoTune
- additional overvoltage protection
- extended swivel range
- inrush current limiter

### Product highlights:

- durable, corrosion-resistant die-cast aluminium housing
- excellent thermal management, long service life
- comfortable maintenance due to removable lower part of the housing, large opening allows easy access to the terminal box and the electrical components
- homogeneous illumination due to the Multi-Layer-Technology
- eco-friendly, no light emission into the upper half-space, ULOR=0 (Plane Surface Floodlight)
- versions dimmable to 10% and with color temperature up to 3,000 K comply with Dark Sky requirements
- sustainable, control gear and LED-module replaceable by qualified personnel on-site
- future proof by using standardised LED-modules (Zhaga) and long-term availability of spare parts
- GreenLine luminaire, outstanding sustainable design

**Properties, limitations and details for controlling LED-light fittings:**

See "Technical Supplement"

All data are correct at the time of printing. Actual technical data can be found under [www.schuch.de](http://www.schuch.de).

EcoTune luminaires from SCHUCH adapt flexibly to changing situations, taking into account safety, residents' interests and ecological aspects of night-time lighting. The luminaires combine either two light colours or optics: With light colours (e.g. 4,000 K and 2,200 K), the light can be changed from neutral white in the morning to warm white in the evening and optionally controlled via motion sensors, while the combination of two optics with different light distributions reduces glare on wet roads.

Further information on EcoTune can be found in our outdoor luminaires catalogue.

All light fittings also available with connected cable (see accessories in the data sheet).

Article No.	Type	Connected load [W]	Luminous flux [lm]	Luminous efficacy [lm/W]	Weight [kg] (without packing material)
-------------	------	--------------------	--------------------	--------------------------	----------------------------------------

### 7700 ... / 7800...



#### colour temperature 4.000K (light colour 740)

77000 0006	<b>7700 3203</b>	70	11.360	162	9,5
77000 0010	<b>7700 3203TB</b>				
77000 0014	<b>7700 3203T</b>				
77000 0002	<b>7700 3203A</b>				
77000 0007	<b>7700 4803</b>	106	16.790	158	9,7
77000 0011	<b>7700 4803TB</b>				
77000 0015	<b>7700 4803T</b>				
77000 0003	<b>7700 4803A</b>				
77000 0008	<b>7700 6403</b>	140	21.940	157	9,7
77000 0012	<b>7700 6403TB</b>				
77000 0016	<b>7700 6403T</b>				
77000 0004	<b>7700 6403A</b>				
78000 0011	<b>7800 6403</b>	140	22.650	162	15,9
78000 0001	<b>7800 6403TB</b>				
78000 0041	<b>7800 6403T</b>				
78000 0021	<b>7800 6403A</b>				
78000 0012	<b>7800 12803</b>	280	43.920	157	17
78000 0002	<b>7800 12803TB</b>				
78000 0042	<b>7800 12803T</b>				
78000 0022	<b>7800 12803A</b>				

#### colour temperature 3.000K (light colour 730)

77000 0198	<b>7700 3203 730</b>	70	10.790	154	9,5
77000 0199	<b>7700 3203TB 730</b>				
77000 0201	<b>7700 3203T 730</b>				
77000 0055	<b>7700 3203A 730</b>				
77000 0202	<b>7700 4803 730</b>	106	15.950	150	9,7
77000 0203	<b>7700 4803TB 730</b>				
77000 0157	<b>7700 4803T 730</b>				
77000 0058	<b>7700 4803A 730</b>				
77000 0099	<b>7700 6403 730</b>	140	20.840	149	9,7
77000 0116	<b>7700 6403TB 730</b>				
77000 0204	<b>7700 6403T 730</b>				
77000 0096	<b>7700 6403A 730</b>				
78000 0112	<b>7800 6403 730</b>	140	21.520	154	15,9
78000 0113	<b>7800 6403TB 730</b>				
78000 0114	<b>7800 6403T 730</b>				
78000 0050	<b>7800 6403A 730</b>				
78000 0115	<b>7800 12803 730</b>	280	41.720	149	17
78000 0057	<b>7800 12803TB 730</b>				
78000 0116	<b>7800 12803T 730</b>				
78000 0054	<b>7800 12803A 730</b>				



All light fittings also available with connected cable (see accessories in the data sheet).



All luminaires also available with luminous flux adjustment via app (NFC version).

Article no.	Type	Power/ consumption [W]	Luminous flux [lm] <sup>1)</sup>	Luminous efficacy [lm/W] (up to)	Substitute for ca. *	Weight [ca. kg] (without packaging)
-------------	------	------------------------	----------------------------------	----------------------------------	----------------------	-------------------------------------

## 7700... / 7800... VARIO



Wind load area A = 0,15m²

### Design:

Same as type 7700... / 7800... but: With switch for for variable adjustment of the luminous flux in the luminaire.

### Product highlights of the VARIO version:

- simple, fast, tool-free setting of the luminous flux on site, by means of integrated switch, can be changed at any time
- reduction in the variety of types



### colour temperature 4.000K (light colour 740)

77001 0001	<b>7700 L100 VARIO</b>	16 - 70	2.760 - 11.360	179	HST 50 - HSE 150	9,5
77001 0003	<b>7700 L100TB VARIO</b>					
77001 0004	<b>7700 L100T VARIO</b>					
77001 0002	<b>7700 L100A VARIO</b>					
77001 0009	<b>7700 L150 VARIO</b>	24 - 106	4.120 - 1.6790	173	2 x HME 80 - 2 x HME 250	9,7
77001 0011	<b>7700 L150TB VARIO</b>					
77001 0012	<b>7700 L150T VARIO</b>					
77001 0010	<b>7700 L150A VARIO</b>					
77001 0017	<b>7700 L210 VARIO</b>	32 - 140	5.400 - 21.940	169	2 x HST 70 - HME 400	9,7
77001 0019	<b>7700 L210TB VARIO</b>					
77001 0020	<b>7700 L210T VARIO</b>					
77001 0018	<b>7700 L210A VARIO</b>					
78003 0001	<b>7800 L210 VARIO</b>	32 - 140	5.550 - 22.650	173	2 x HST 70 - HME 400	15,9
78003 0003	<b>7800 L210TB VARIO</b>					
78003 0004	<b>7800 L210T VARIO</b>					
78003 0002	<b>7800 L210A VARIO</b>					
78003 0009	<b>7800 L420 VARIO</b>	64 - 280	10.860 - 43.920	170	HSE 150 - 2 x HIE 400	17
78003 0011	<b>7800 L420TB VARIO</b>					
78003 0012	<b>7800 L420T VARIO</b>					
78003 0010	<b>7800 L420A VARIO</b>					

### colour temperature 3.000K (light colour 730)

77001 0005	<b>7700 L100 VARIO 730</b>	16 - 70	2.620 - 10.790	171	HST 50 - HSE 150	9,5
77001 0007	<b>7700 L100TB VARIO 730</b>					
77001 0008	<b>7700 L100T VARIO 730</b>					
77001 0006	<b>7700 L100A VARIO 730</b>					
77001 0013	<b>7700 L150 VARIO 730</b>	24 - 106	3.910 - 15.950	164	2 x HME 80 - 2 x HME 250	9,7
77001 0015	<b>7700 L150TB VARIO 730</b>					
77001 0016	<b>7700 L150T VARIO 730</b>					
77001 0014	<b>7700 L150A VARIO 730</b>					
77001 0021	<b>7700 L210 VARIO 730</b>	32 - 140	5.130 - 20.840	160	2 x HST 70 - HME 400	9,7
77001 0023	<b>7700 L210TB VARIO 730</b>					
77001 0024	<b>7700 L210T VARIO 730</b>					
77001 0022	<b>7700 L210A VARIO 730</b>					
78003 0005	<b>7800 L210 VARIO 730</b>	32 - 140	5.270 - 21.520	165	2 x HST 70 - HME 400	15,9
78003 0007	<b>7800 L210TB VARIO 730</b>					
78003 0008	<b>7800 L210T VARIO 730</b>					
78003 0006	<b>7800 L210A VARIO 730</b>					
78003 0013	<b>7800 L420 VARIO 730</b>	64 - 280	10.320 - 41.720	161	HSE 150 - 2 x HIE 400	17
78003 0015	<b>7800 L420TB VARIO 730</b>					
78003 0016	<b>7800 L420T VARIO 730</b>					
78003 0014	<b>7800 L420A VARIO 730</b>					

Factory setting L100: 54 W; replaces approx. ca. HME 250  
Factory setting L150: 106 W; replaces approx. 2 x HME 250

1) possible setting range

Factory setting L210: 140 W; replaces approx. HME 400  
Factory setting L420: 280 W; replaces approx. 2 x HIE 400

\* The given information is for rough orientation only. In each individual case a lighting calculation is necessary.

All light fittings also available with connected cable (see accessories in the data sheet).

Article No.	Type	Connected load [W]	Luminous flux [lm]	Luminous efficacy [lm/W]	Weight [kg] (without packing material)
-------------	------	--------------------	--------------------	--------------------------	----------------------------------------

## RFL - Ready for Light Management Systems

### Design:

Same as standard version 7700... / 7800... but prepared for the subsequent use of a Light Management System. Integrated sockets allows retrofitting of Light Management components without tools.

### Product highlights:

- standardised Zhaga Book 18 compliant sockets with D4i control gear
- subsequent use of a light management system possible at any time
- tool-free, quick assembly of the Light Management System components

RFL



## 7700 ... / 7800... RFL

with a socket on the top and bottom side of the luminaire

colour temperature 4.000K (light colour 740)

77002 0057	7700 3203 RFL0U	70	11.360	162	9,5
77002 0031	7700 3203TB RFL0U				
77002 0058	7700 3203T RFL0U				
77002 0030	7700 3203A RFL0U				
77002 0059	7700 4803 RFL0U	106	16.790	158	9,7
77002 0060	7700 4803TB RFL0U				
77002 0061	7700 4803T RFL0U				
77002 0062	7700 4803A RFL0U				
77002 0063	7700 6403 RFL0U	140	21.940	157	9,7
77002 0064	7700 6403TB RFL0U				
77002 0065	7700 6403T RFL0U				
77002 0066	7700 6403A RFL0U				
78002 0041	7800 6403 RFL0U	140	22.650	162	15,9
78002 0042	7800 6403TB RFL0U				
78002 0043	7800 6403T RFL0U				
78002 0044	7800 6403A RFL0U				
78002 0045	7800 12803 RFL0U	280	43.920	157	17
78002 0046	7800 12803TB RFL0U				
78002 0047	7800 12803T RFL0U				
78002 0010	7800 12803A RFL0U				

colour temperature 3.000K (light colour 730)

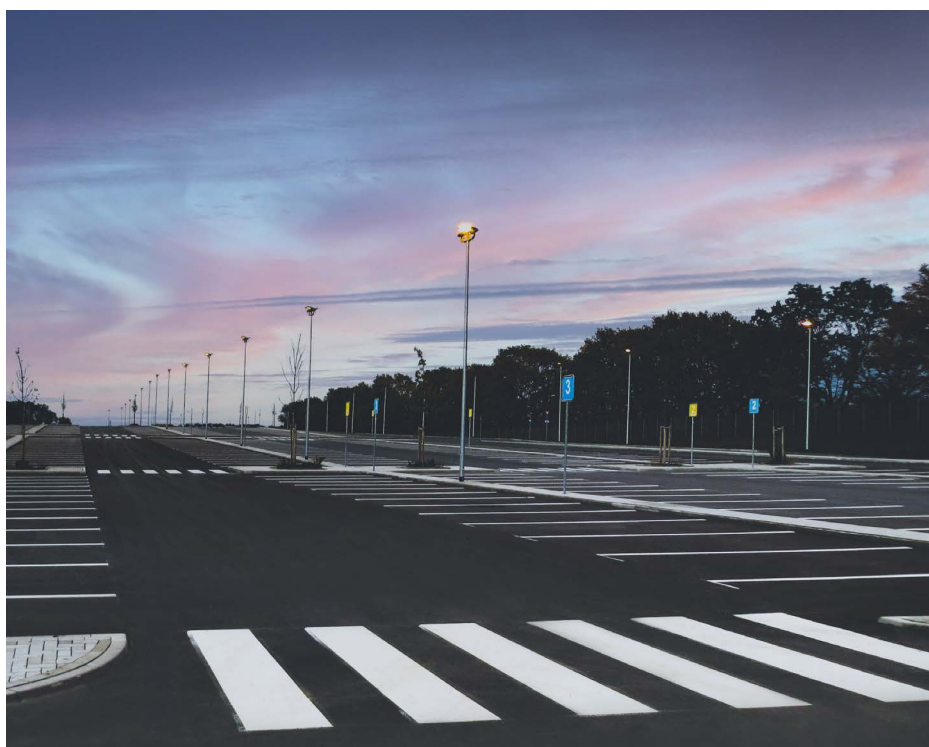
77002 0067	7700 3203 730 RFL0U	70	10.790	154	9,5
77002 0068	7700 3203TB 730 RFL0U				
77002 0069	7700 3203T 730 RFL0U				
77002 0070	7700 3203A 730 RFL0U				
77002 0071	7700 4803 730 RFL0U	106	15.950	150	9,7
77002 0072	7700 4803TB 730 RFL0U				
77002 0073	7700 4803T 730 RFL0U				
77002 0074	7700 4803A 730 RFL0U				
77002 0075	7700 6403 730 RFL0U	140	20.840	149	9,7
77002 0076	7700 6403TB 730 RFL0U				
77002 0077	7700 6403T 730 RFL0U				
77002 0032	7700 6403A 730 RFL0U				
78002 0048	7800 6403 730 RFL0U	140	21.520	154	15,9
78002 0049	7800 6403TB 730 RFL0U				
78002 0050	7800 6403T 730 RFL0U				
78002 0020	7800 6403A 730 RFL0U				
78002 0051	7800 12803 730 RFL0U	280	41.720	149	17
78002 0052	7800 12803TB 730 RFL0U				
78002 0053	7800 12803T 730 RFL0U				
78002 0054	7800 12803A 730 RFL0U				

Outdoor  
Light Fittings

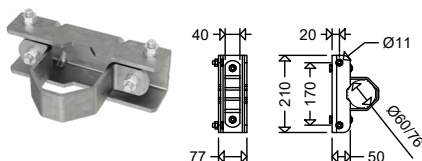
## System accessories

Article No.	Type	
90546 9018	<b>RFL BM/DS IR12</b>	RFL motion sensor with light sensor, infrared (maximum light point height 12.0 m)
90546 9004	<b>RFL BM/DS IR8</b>	RFL motion sensor with light sensor, infrared (light point height max. 8.0 m)
90546 9000	<b>RFL DS20</b>	RFL control element with light sensor, standalone, 20 lx
90543 0001	<b>LASC DONGLE USB + SOFT + LIZ</b>	LIMAS Air SYNC USB dongle with software and licence
90546 9012	<b>RFL LASC BM RAD10 MA MK2</b>	RFL LIMAS Air SYNC light management controller (2.4 GHz mesh network) with motion sensor, radar (mounting height max. 10.0 m) for mast mounting with 2.0 m cable
90546 9011	<b>RFL LASC BM RAD8</b>	RFL LIMAS Air SYNC light management controller (2.4 GHz mesh network) with motion sensor, radar (max. light point height 8.0 m)
90546 9014	<b>RFL LASC DS</b>	RFL LIMAS Air SYNC light management controller (2.4 GHz mesh network) with light sensor
90546 9010	<b>RFL LASC DS GPS SIM</b>	RFL LIMAS Air SYNC light management controller (2.4 GHz mesh network) with light sensor, GPS antenna and eSIM

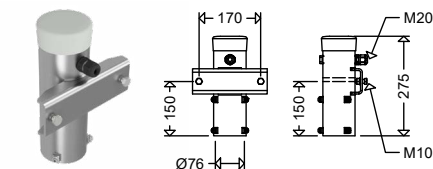
Other sensors, e.g. environmental sensors (fine dust, CO<sub>2</sub>, weather station etc.) on request.



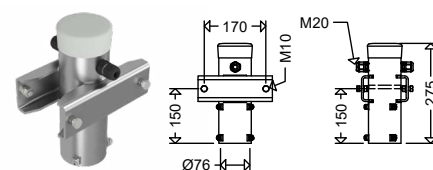
Pipe clamp fastening: **ROB 60/76 G2**



Single mounting: **MAU 1 76/170 M10**



Double mounting: **MAU 2 76/170 M10**



All pole top brackets made of galvanised steel. Painting in any RAL colour for additional charge.

## Accessories / Spare Parts

Article no.	Type	
78001 9002	<b>ABD 7700 ESGW</b>	cover, pane safety glas clear, for 7700...
78001 9001	<b>ABD 7800 ESGW</b>	cover, pane safety glas clear, for 7800...
75739 9001	<b>MAU 1 76/170 M10</b>	Pole top for single mounting, Ø 76 mm, galvanised steel
75739 9002	<b>MAU 2 76/170 M10</b>	Pole top for double mounting, Ø 76 mm, galvanised steel
90270 0006	<b>ROB 60/76 G2</b>	pipe clamp for direct pole mounting or on multiple post top adapters; galvanised steel
79511 0006	<b>TR 1200/76/170/5 M10/12</b>	Crossbar with 5 fastening options for floodlights on a pole
79511 0007	<b>TR 900/76/170/4 M10/12</b>	Crossbar with 4 fastening options for floodlights on a pole
90313 0001	<b>KV M20 BK</b>	plastic cable gland M20 x 1,5 black for series 7700
90313 0002	<b>KV M25 BK</b>	plastic cable gland M25 x 1,5 black for series 7800
75350 0034	<b>SD 7700 ST</b>	vibration absorbing suspension device for series 7700, galvanised steel
75350 0033	<b>SD 7800 ST</b>	vibration absorbing suspension device for series 7800, galvanised steel