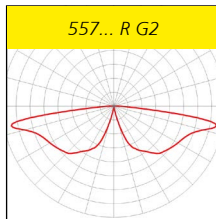
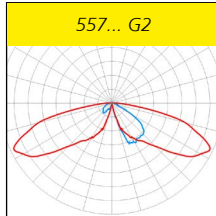
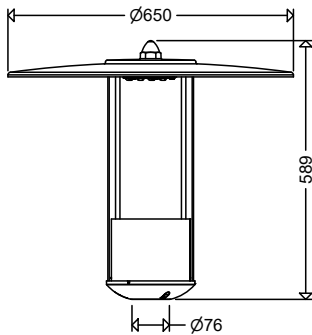


NEW

PLANEO LED Pole-Top Light Fitting Series 557... G2



Applications:

557... G2:

Residential areas, residential and side streets, low traffic areas, footpaths and cycle tracks etc.

557... R G2:

Promenades, public parks, pedestrian areas etc.

Design :

Roof and supporting section: Aluminium, powder-coated DB 702 (mica-iron paint, grey)

Cover: PMMA, clear, cylindrical

Electrical components: Wired ready for installation, disconnect plug-in connector to the mains connection terminal, cable retainer for connection cable, with LED module and ECG unit

Light distribution: Asymmetrical wide beam or symmetrical circular beam (R).

Mounting system: 3 non-corrosive steel locking screws serve for fixation on straight poles Ø 76 mm. Adapter (RZ 1) for pole end Ø of 60 mm (see accessories / spare parts).

Electrical design:

LED module: 4,000K or 3,000K, $R_a > 70$, service life $L_{90} > 100,000h$, Zhaga compliant

ECG: 220-240V, 50-60Hz, Surge voltage resistance 10kV, overload and short circuit protection.

Light control:

On request, the luminaires are also available with the following configurations:

Output reduction with control phase (LR): For reducing the luminous flux to 50% at times of low traffic density. Control phase (LST) required. Switching via control phase (LST = 230V: 100%; LST = 0V: 50%). Alternative dimming levels possible.

Output reduction without control phase (LA): Autarkic dimming. Reduced operation 50% between 22:00 and 4:00h CET or 23:00 and 5:00h CEST, also available with deviating times and with alternative dimming steps.

Digital dimming with DALI interface (DIMD)

Constant luminous flux function (CL): Luminous flux is kept on a constant level over the entire service life of the LED-modules.

Options:

- 2,200K, light colour 722 (approx. 15% lower luminous flux)
- 1,800K, light colour 518 „Amber“ (approx. 45% lower luminous flux)
- protection class I (SKI)
- optics for cycle track (RWX)
- tilt adjustment of the LED unit for illuminating wider roads (NV)

- for connection to group or central battery systems (ZB) or emergency lighting networks respectively
- seawater-resistant version (SWP)
- Ready for Light Management Systems (RFL), only possible without accessory ring mirror
- special painting in RAL colours (SL)
- with backside light shielding (HA)

Product highlights:

- optimal light distribution due to direct beam LED with highly efficient optics
- homogeneous illumination due to **Multi-Layer technology** i.e. every individual LED illuminates the total area, the light curves of the individual LEDs are overlapping
- quick maintenance and conversion thanks to tool-free replacement of the electrical components (LED module and ECG unit)
- BlackEdition, $ULOR=0\%$ (Modifications with accessories influence the light distribution)
- eco-friendly, all versions dimmable to 10% with luminous fluxes up to 2000lm and color temperature up to max. 3,000K fulfill the **Dark Sky requirements**
- sustainable, control gear and LED-module replaceable by qualified personnel on-site
- future proof by using standardized LED-modules (Zhaga) and long-term availability of spare parts

! Properties, limitations and details for controlling LED-light fittings:

■ See "Technical Supplement"

All data are correct at the time of printing. Actual technical data can be found under www.schuch.de.

Article No.	Type	Connected load [W]	Luminous flux [lm]	Luminous efficacy [lm/W]	Weight [kg] (without packing material)
-------------	------	--------------------	--------------------	--------------------------	--

IP54  Wind load area A = 0,13m²

557... G2

asymmetrical wide beam

colour temperature 4.000K (light colour 740)

55701 0001	557 0801 G2	9	1.430	159	5,9
55701 0002	557 0802 G2	13	2.000	154	5,9
55701 0003	557 0803 G2	18	2.690	149	5,9
55701 0004	557 1601 G2	17	2.850	168	6,0
55701 0005	557 1602 G2	25	3.950	158	6,0
55701 0006	557 1603 G2	35	5.280	151	6,0

colour temperature 3.000K (light colour 730)

55701 0013	557 0801 G2 730	9	1.360	151	5,9
55701 0014	557 0802 G2 730	13	1.900	146	5,9
55701 0015	557 0803 G2 730	18	2.560	142	5,9
55701 0016	557 1601 G2 730	17	2.710	159	6,0
55701 0017	557 1602 G2 730	25	3.750	150	6,0
55701 0018	557 1603 G2 730	35	5.020	143	6,0

symmetrical circular beam

colour temperature 4.000K (light colour 740)

55701 0007	557 0801R G2	9	1.430	159	5,9
55701 0008	557 0802R G2	13	2.000	154	5,9
55701 0009	557 0803R G2	18	2.690	149	5,9
55701 0010	557 1601R G2	17	2.850	168	6,0
55701 0011	557 1602R G2	25	3.950	158	6,0
55701 0012	557 1603R G2	35	5.280	151	6,0

colour temperature 3.000K (light colour 730)

55701 0019	557 0801R G2 730	9	1.360	151	5,9
55701 0020	557 0802R G2 730	13	1.900	146	5,9
55701 0021	557 0803R G2 730	18	2.560	142	5,9
55701 0022	557 1601R G2 730	17	2.710	159	6,0
55701 0023	557 1602R G2 730	25	3.750	150	6,0
55701 0024	557 1603R G2 730	35	5.020	143	6,0

! Also available with output reduction (LR / LA) or constant luminous flux function (CL) as well as combinations of these functions (CL LR / CL LA).



with ring mirror



with frosted board cover



with frosted board cover and ring mirror



Accessories / Spare Parts

Article no.	Type	
10051 9000	ABD 541/55.	cover, cylinder PMMA clear, for 541, 553, 556, 557, 558...
10041 9001	ABDP 54./55. C	board cover, diffuser for glare limitation, diffuser PMMA satined, for 541, 543, 553, 556, 557, 558...
90116 9004	RS 54./55. G2	ring mirror, aluminium for series 541, 543, 553, 556, 557, 558... (Design element)
90126 0001	RZ 1 RAL9005	adapter for mast top Ø 60mm