

## CAMINO LED Outdoor Light Fitting with variable setting of the luminous flux Series 47... VARIO

### Applications:

Side and main streets, roundabouts, factory streets and tracks in industrial plants, car parks, gateways etc.

### Design:

**Housing:** Die-cast aluminium, 2-parts, powder coated in DB 702 (mica-iron paint, grey). **Upper section** with LED-Module, optics, glass cover and electro kit, hinged and detachable. **Lower section** with pole mounting system, adjustment of inclination, cable retainer, cable entry with pressure compensation system.

**Glass cover:** Flat safety glass, impact resistance IK09.

**Switch** for setting the luminous flux of the

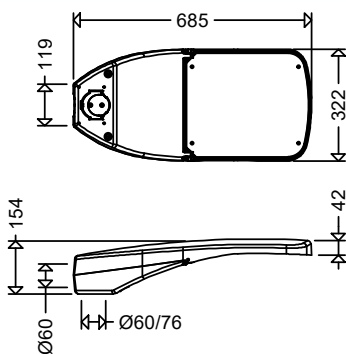
luminaire.

**Light distribution:** Asymmetrical wide beam.

**Connection:** With isolating plug connection with cable relief

**Universal pole mounting device:** Die-cast aluminium, for post top mounting Ø 60/76mm and side entry mounting Ø 60mm. For side entry mounting Ø 42mm, separate reducing accessories are required (see accessories / spare parts).

**Inclination:** Post top mounting 0°, 5° and 10° (factory setting 0°). Side entry mounting 0°, -5°, -10° and -15° depending on inclination of the cantilever.



Outstanding mounting advantage



### Electrical design:

**LED module:** 4,000K or 3,000K,  $R_a > 70$ , service life  $L_{90} > 100,000h$ , Zhaga compliant

**ECG:** 220-240V, 50-60Hz, Surge voltage resistance 10kV, overload and short circuit protection.

### Light control:

On request, the luminaires are also available with the following configurations:

**Output reduction with control phase (LR):** For reducing the luminous flux to 50% at times of low traffic density. Control phase (LST) required. Switching via control phase (LST = 230V: 100%; LST = 0V: 50%). Alternative dimming levels possible.

**Output reduction without control phase (LA):** Autarkic dimming. Reduced operation 50% between 22:00 and 4:00h CET or 23:00 and 5:00h CEST, also available with deviating times and with alternative dimming steps.

**Digital dimming with DALI interface (DIMD)**

**Constant luminous flux function (CL):** Luminous flux is kept on a constant level over the entire service life of the LED-modules.

### Options:

– 2,200K, light colour 722

(approx. 15% lower luminous flux)

– 1,800K, light colour 518 „Amber“  
(approx. 45% lower luminous flux)

– protection class I (SKI)

– asymmetrical beam (A), plane surface  
floodlight-optics

– optics for cycle tracks (RWX)

– low glare optics (ABL)

– seawater resistant version (SWP)

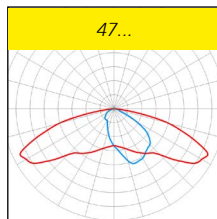
– additional overvoltage protection (OP)  
in SKI

– inrush current limiter (ESSB)

– with bird deterrence (BD)

– special painting in RAL colours (SL)

– with backside light shielding (HA)



### Product highlights:

- simple, fast, tool-free setting of the luminous flux on site, by means of integrated switch, can be changed at any time
- two types replace several conventional lights and thus reduce the variety of types
- highly economical storage due to standardisation
- integrated pressure compensation system prevents condensation in the interior
- universal pole mounting system, foldable **without tools**, for post top or side entry mounting
- removable upper part of the housing allows a comfortable, time- and cost-saving mounting in 2 steps:  
**1st step:** Mount bottom part on the pole and connect the mains  
**2nd step:** Hinge upper part, connect isolating plug and shut the housing. **READY**
- tiltable universal pole mounting system for post top and side entry mounting, no tools required
- adjustable inclination of the light fitting, no tools required
- removable ECG upper part of the housing allows a comfortable maintenance, no painful overhead working.
- upgrades or converts by easy change of the upper-part of the housing. After the change of the LED modules the upper part of the housing can be used again.
- optimal light distribution due to highly efficient lens optics
- homogeneous illumination due to the Multi-Layer-Technology i.e. every individual LED illuminates the whole surface, the light curves of the individual LEDs are overlapping.
- eco-friendly, no light emission into the upper half-space,  $ULOR=0$
- all versions dimmable to 10% with color temperature up to max. 3,000K fulfill the Dark Sky requirements
- sustainable, control gear and LED-module replaceable by qualified personnel on-site
- future proof by using standardized LED-modules (Zhaga)
- GreenLine luminaire, outstanding sustainable design

! Properties, limitations and details for controlling LED-light fittings:

■ See "Technical Supplement"

All data are correct at the time of printing. Actual technical data can be found under [www.schuch.de](http://www.schuch.de).

Article No.	Type	Connected load [W]	Luminous flux [lm] <sup>1)</sup>	Luminous efficacy [lm/W] (up to)	Substitute for ca. *	Weight [kg] (without packing material)
-------------	------	--------------------	----------------------------------	-------------------------------------	----------------------	---

## 47... VARIO



The luminous flux is variably adjustable. The Connected load will change depending on the setting of the luminous flux. In the table you will find examples of settings with reference to common conventional versions. Intermediate values are also possible. Setting table on request.

### colour temperature 4.000K (light colour 740)

47000 0366	<b>47 L100 VARIO</b>	16 - 70	2.760 - 11.360	180	HST 50 - HSE 150	10,2
47000 0364	<b>47 L150 VARIO</b>	24 - 106	4.130 - 16.850	173	2 x HME 80 - 2 x HME 250	10,2
47000 0365	<b>47 L210 VARIO</b>	32 - 140	5.460 - 22.030	171	2 x HST 70 - HME 400	10,3

### colour temperature 3.000K (light colour 730)

47000 0468	<b>47 L100 VARIO 730</b>	16 - 70	2.620 - 10.790	171	HST 50 - HSE 150	10,2
47000 0469	<b>47 L150 VARIO 730</b>	24 - 106	3.920 - 16.010	164	2 x HME 80 - 2 x HME 250	10,2
47000 0470	<b>47 L210 VARIO 730</b>	32 - 140	5.190 - 20.930	162	2 x HST 70 - HME 400	10,3

Factory setting L100: 54 W; replaces approx. HME 250  
 Factory setting L150: 106 W; replaces approx. 2 x HME 250

Factory setting L210: 140 W; replaces approx. HME 400

\* The given information is for rough orientation only. In each individual case a lighting calculation is necessary.

1) possible setting range

! All light fittings also available with connected cable (H07RN-F or NYM) in the required length.



All luminaires also available with luminous flux adjustment via smartphone app (NFC version).

! Also available with output reduction (LR / LA) or constant luminous flux function (CL) as well as combinations of these functions (CL LR / CL LA).



Outdoor  
Light Fittings

## Accessories / Spare Parts

Article no.	Type	
47001 9002	<b>ABD 47</b>	cover, pane safety glass clear, for 47...
90306 0004	<b>RZ 60/42 CAMINO</b>	adapter for mast top ø of 42mm, black

Pipe brackets for wall, pole and corner mounting, and post top brackets please see end of this chapter.

Subject to technical changes, misprints and errors.